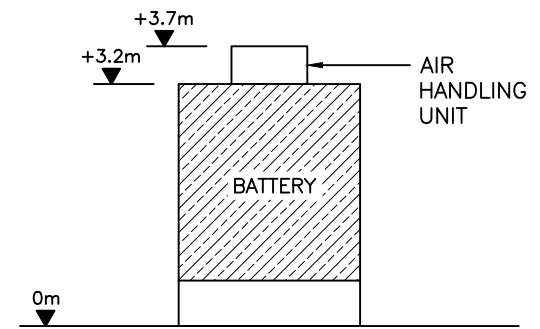
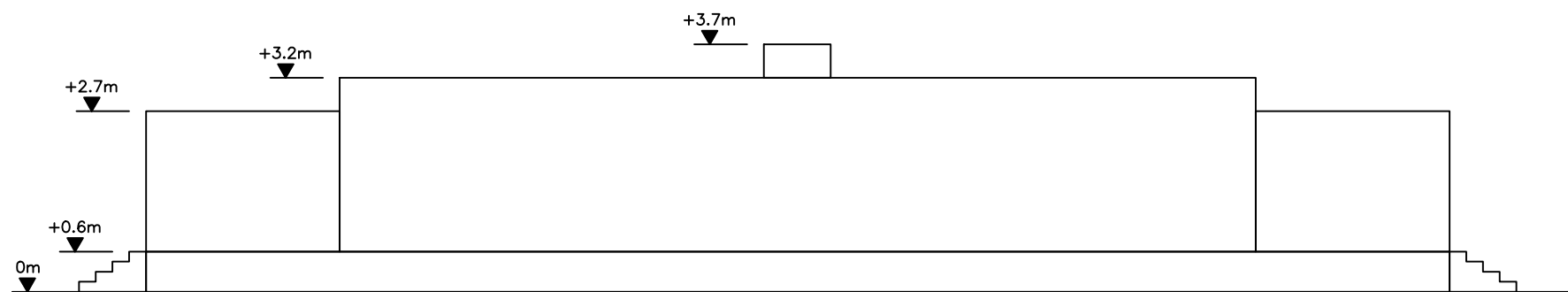


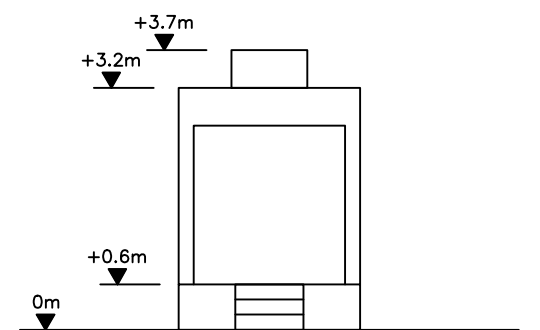
**PLAN**  
SCALE 1:100



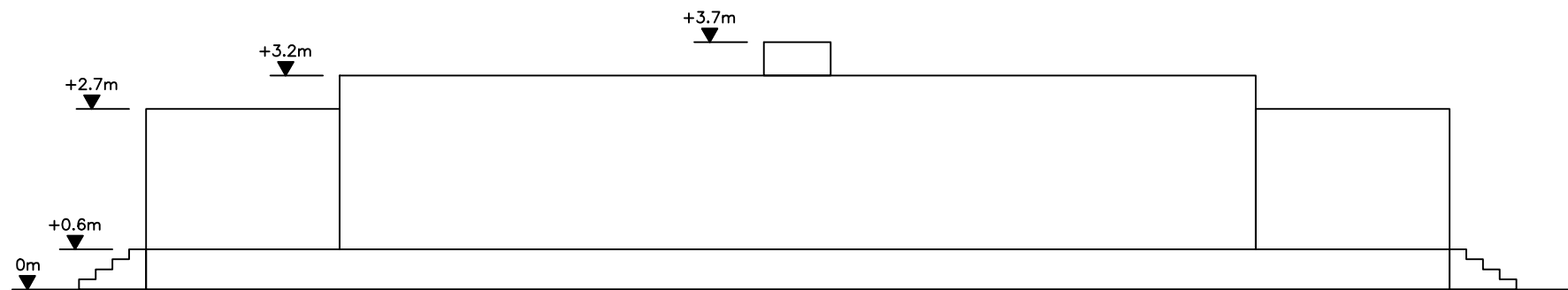
**SECTION**  
SCALE 1:100



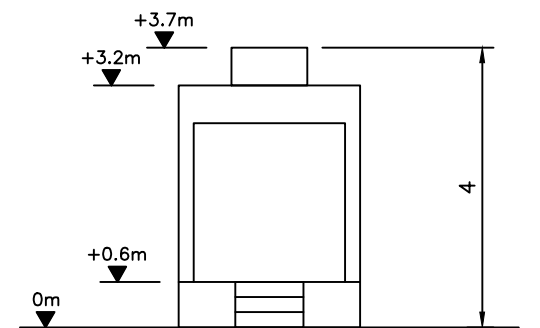
**EAST ELEVATION**  
SCALE 1:100



**NORTH ELEVATION**  
SCALE 1:100



**WEST ELEVATION**  
SCALE 1:100



**SOUTH ELEVATION**  
SCALE 1:100

Rev	Date	Revision description	Drn	Prod	Ver	App
0	03.12.18	ISSUED FOR PLANNING	SB	SB	BL	TC

**Purpose of issue - Preliminary unless indicated**  
 Tender  Client approval  Construction  As-built  Revised

**ESB INTERNATIONAL**  
 One Dublin Airport Central,  
 Dublin Airport, Cloughran, Co. Dublin  
 Tel: 353 1 703 8000 Email: marketing@esbi.ie  
 Web: www.esbinternational.ie  
 ESB International is a trading name of  
 ESBI Engineering & Facility Management Ltd.  
 Registered Office: as above  
 Registered in Ireland No. 155249

**Client**  
 ESB WIND DEVELOPMENT LTD. AND  
 BORD NA MÓNA POWERGEN LTD.

**Project**  
 TIMAHOE NORTH SOLAR FARM

**Contract**

**Drawing title**  
 BATTERY UNIT PLAN ELEVATIONS & SECTION  
 PLAN ELEVATION & SECTION

**Production unit**  
 Networks Engineering

COPYRIGHT © ESBI ENGINEERING & FACILITY MANAGEMENT LIMITED.  
 All rights reserved. No part of this work may be modified or reproduced or copied in any form or by any means - graphic, electronic or mechanical, including photocopying, recording, taping or information-and-retrieval system, or used for any purpose other than its designated purpose, without the written permission of ESBI Engineering & Facility Management Ltd.

Drawn	Produced	Verified	Approved	Approved date
S.Bolton				
Client ref.	No. of sheets	Size	Scale	
TC220700	1	A3	1:100	
<b>Drawing number</b>		Sheet	Rev	
<b>PE605-D025-016-001-000</b>				